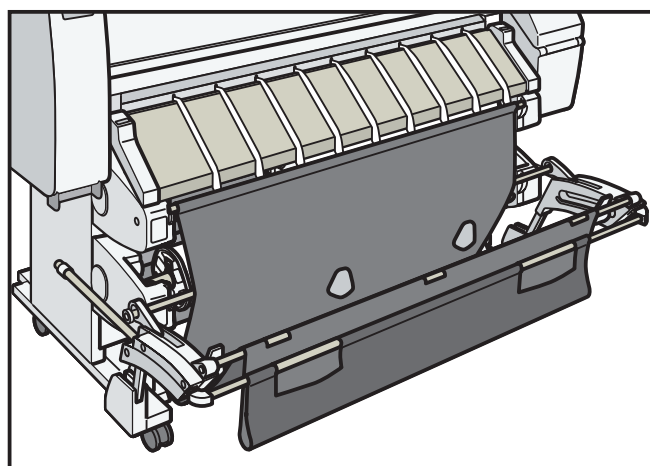


CIP Training

MP CW2201SP

RICOH
imagine. change.

Output



Output

Setting the Output Basket

★ Important

- Open the output basket before you start printing.
- Hold the bars with both hands. If you hold the bars with only one hand, you might drop the bars.
- If the machine is installed near an air conditioner or heater, the delivered paper might not be stacked properly due to the air from the air conditioner or heater.
- Printing photos or other images that use a lot of ink may make the paper frail so that it does not stack properly.
- Do not touch output paper until printing is complete. Doing so may cause it to misfeed and result in a malfunction.
- Do not obstruct the paper output location or put anything in the output basket. Doing so may cause it to misfeed and result in a malfunction.

Prints are delivered to the output basket. Remove the prints one at a time from the output basket.

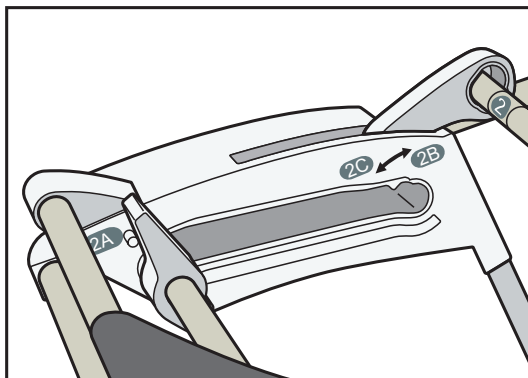
There are three ways to set up the output basket.

The illustrations show the position of the bars of the basket.

- Basic mode

For most printing, the basic mode can be used for the basket. For details, see page 31 "Setting Up the Output Basket in Basic Mode".

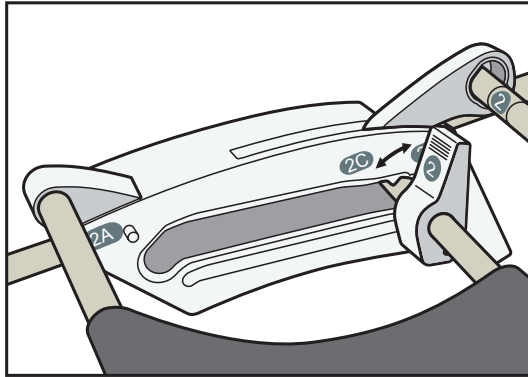
Be sure to always use basic mode when printing on special paper or smaller size plain paper (A2 or smaller size).



- A0/A1/E/D stack mode

To stack A0/E or A1/D paper properly, set up the output basket in A0/A1/E/D stack mode, see page 32 "Setting Up the Output Basket in A0/A1/E/D Stack Mode".

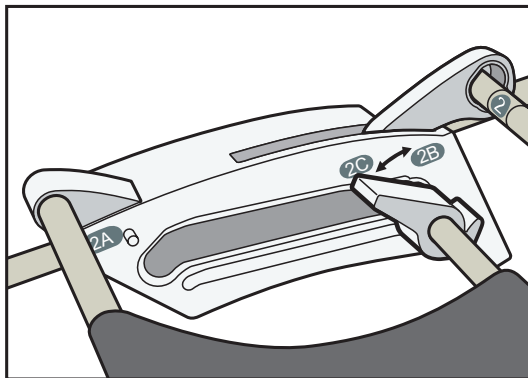
Output



DNE063

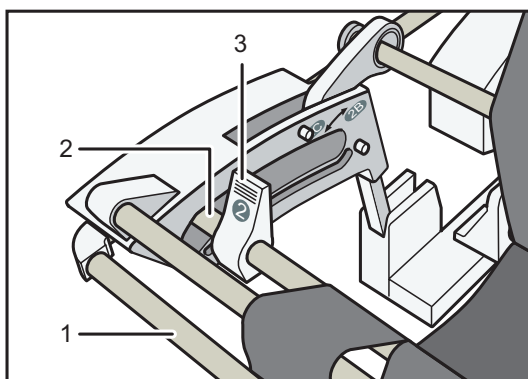
- A1/A2 (landscape)/D/C (landscape) stack mode

To stack A1/D or A2/C (landscape) paper properly, set up the output basket in A1/A2 (landscape)/D/C (landscape) stack mode, see page 35 "Setting Up the Output Basket in A1/A2 (landscape)/D/C (landscape) Stack Mode".



DNE064

Names of the parts of the output basket



DNE066

1. Bar 1
2. Bar 2
3. Lever

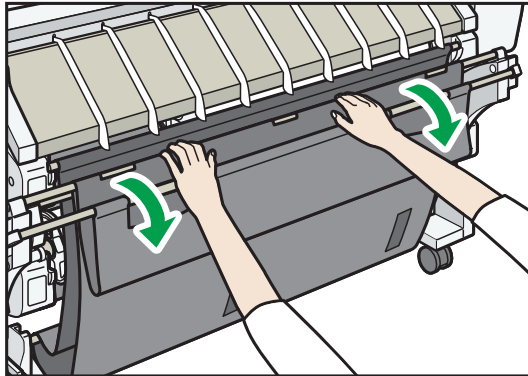
Hold them to change the mode of the output basket.

Output

Setting Up the Output Basket in Basic Mode

For most printing, the basket can be set up in the basic mode.

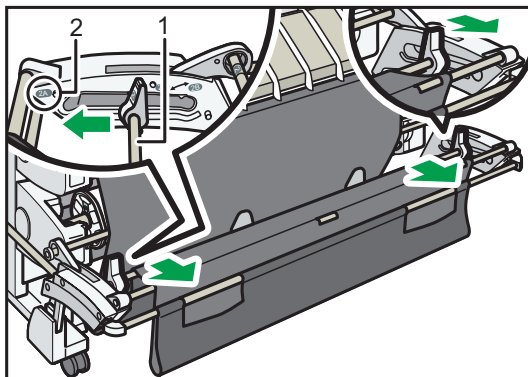
1. Make sure the output basket is closed, and then pull it out.



DNE067

2. Slide bar 2 toward 2A.

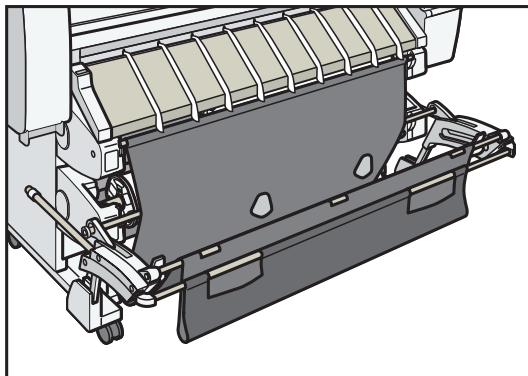
Hold both ends of bar 2.



DNE122

1. Bar 2

2. 2A

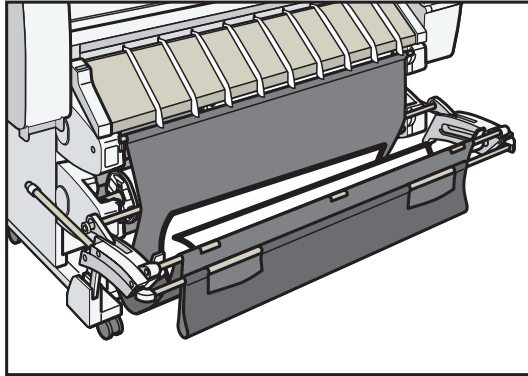


DNE068

Make sure the output basket is open before you start printing.

Output

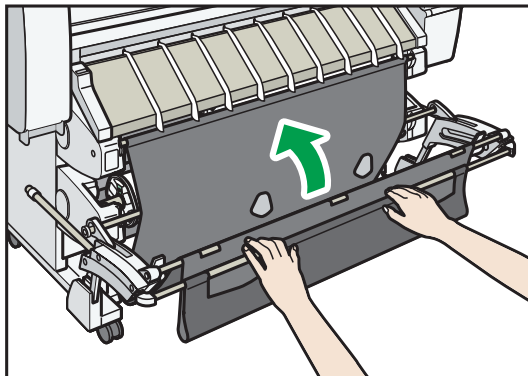
Printed paper is output as shown in the illustration.



DNE124

Close the output basket

1. Push the output basket towards the machine.

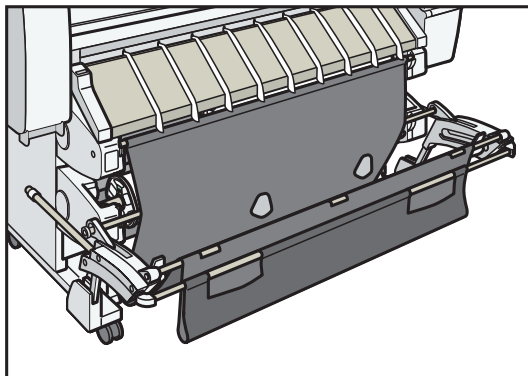


DNE069

Setting Up the Output Basket in A0/A1/E/D Stack Mode

To stack A0/E or A1/D paper properly, set up the output basket in A0/A1/E/D stack mode.

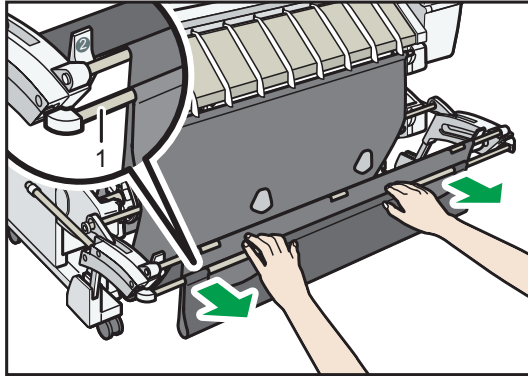
1. Make sure that the output basket is in basic mode.



DNE068

Output

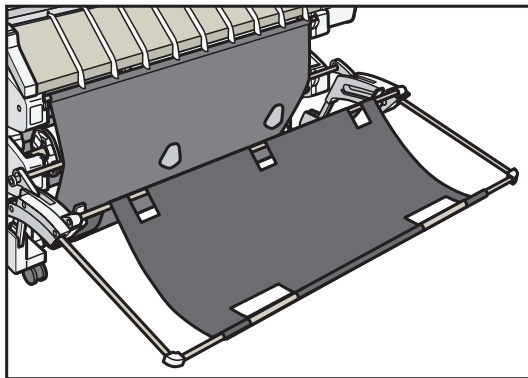
2. Carefully pull out bar 1 horizontally until it stops.



DNE070

1. Bar 1

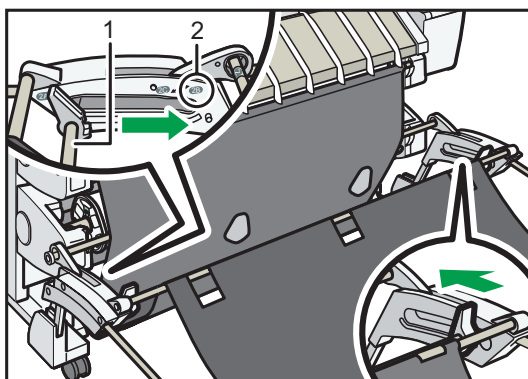
The output basket locks in the horizontal position.



DNE071

3. Slide bar 2 toward 2B.

Hold both ends of bar 2.



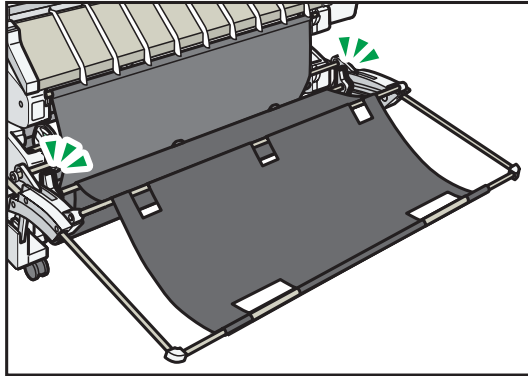
DNE096

1. Bar 2

2. 2B

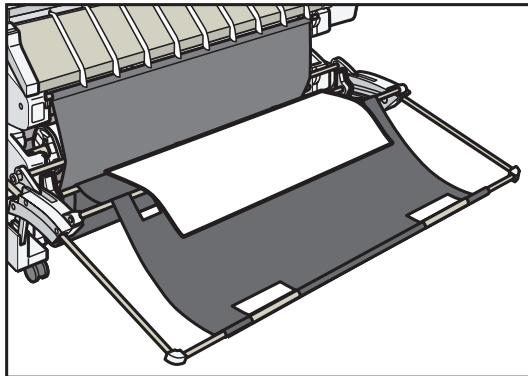
Slide bar 2 until it clicks.

Output



DNE097

When you start printing, make sure that the output basket is open as shown above. Printed paper is output as shown in the illustration.

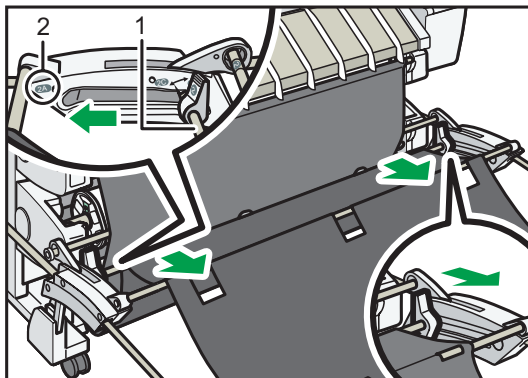


DNE125

Set the output basket to its original position

1. Slide bar 2 toward 2A.

Hold both ends of bar 2.

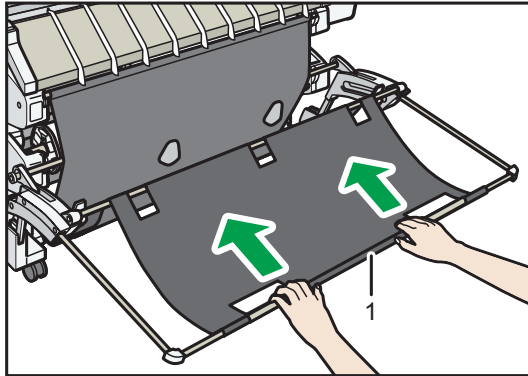


DNE098

1. Bar 2
2. 2A

Output

2. Carefully push in bar 1 horizontally until it stops.



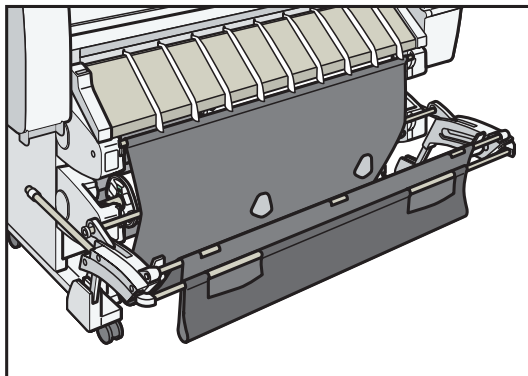
DNE072

1. Bar 1

Setting Up the Output Basket in A1/A2 (landscape)/D/C (landscape) Stack Mode

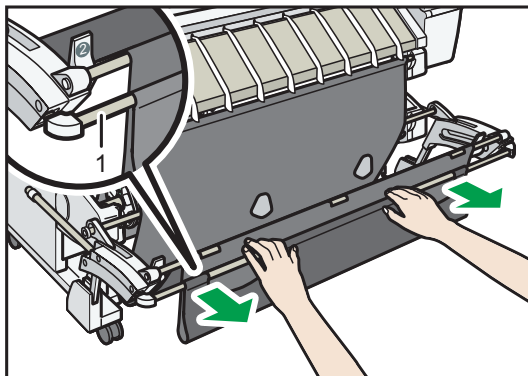
To stack A1/D or A2/C (landscape) paper properly, set up the output basket in A1/A2 (landscape)/D/C (landscape) stack mode.

1. Make sure that the output basket is in the basic mode.



DNE068

2. Carefully pull out bar 1 horizontally until it stops.

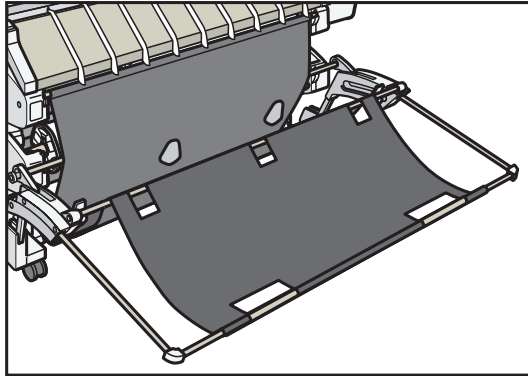


DNE070

Output

1. Bar 1

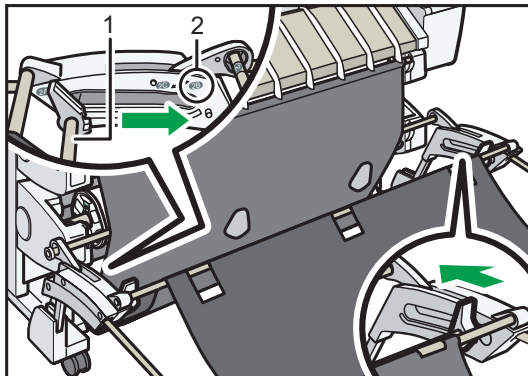
The output basket locks in the horizontal position.



DNE071

3. Slide bar 2 toward 2B.

Hold both ends of bar 2. Slide bar 2 until it clicks.

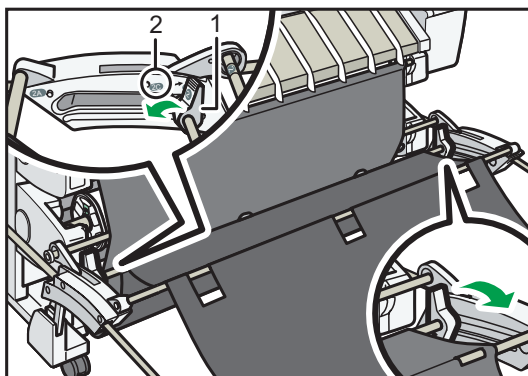


DNE096

1. Bar 2

2. 2B

4. Turn lever to 2C.

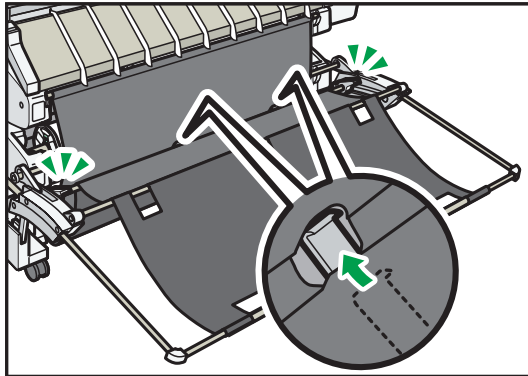


DNE099

1. Lever

2. 2C

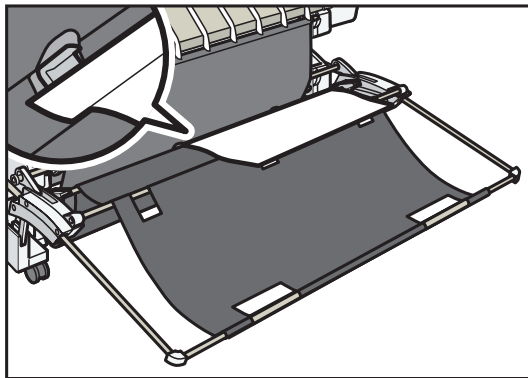
Output



DNE100

When you start printing, make sure that the output basket is open as shown above.

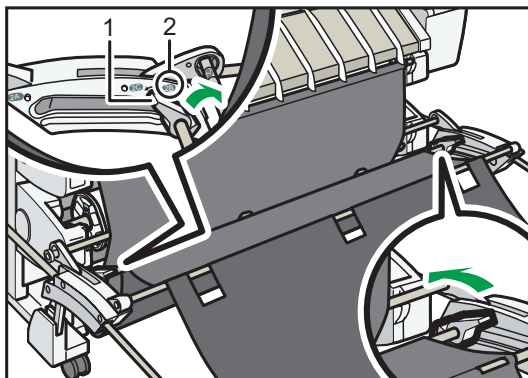
Printed paper is output as shown in the illustration.



DNE126

Set the output basket to its original position

1. Turn lever to 2B.

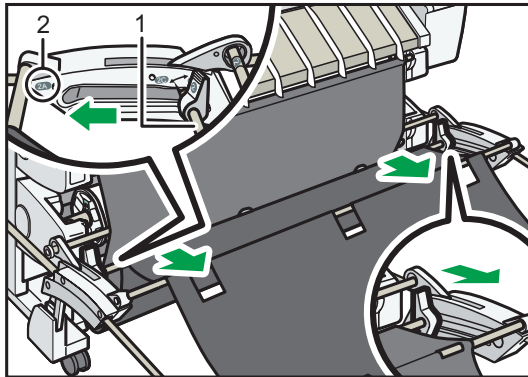


DNE121

1. Lever
2. 2B
2. Slide bar 2 toward 2A.

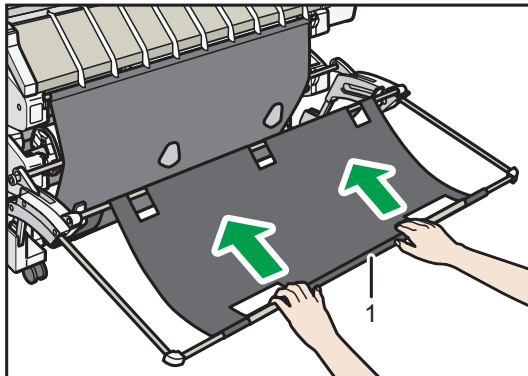
Hold both ends of bar 2.

Output



DNE098

1. Bar 2
2. 2A
3. Carefully push in bar 1 horizontally until it stops.



DNE072

1. Bar 1

A series of horizontal lines for writing, spanning the width of the page.

RICOH
imagine. change.